



# ACM-3211 Series

## IP IR Eyeball Dome Camera

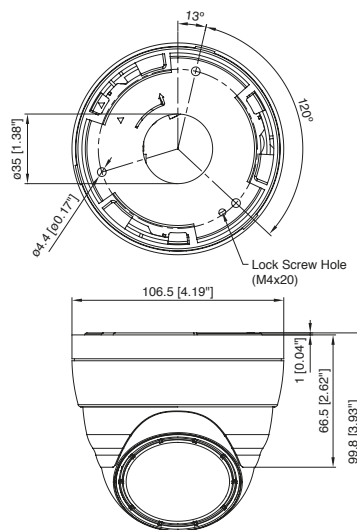


- 1/3" Sony SuperHAD CCD
- Build in 4.3 mm fixed lens
- Build in IR LED and CDS sensor
- Backlight Compensation and Gain Control supported
- Free rotating ball joint mechanical design allows coverage of all angles
- MPEG-4 / MJPEG compression supported
- CIF up to Full D1 resolution at 30/25 FPS
- Two-way audio supported
- Power over Ethernet (IEEE 802.3af) supported



- 1 Audio input output
- 2 Reset button
- 3 DC 12 V power input
- 4 Ethernet

### DIMENSION DIAGRAM



Unit: mm [inch]



# ACM-3211 Series

## PRODUCT SPECIFICATION

Image	
Device	SONY SuperHAD CCD
Size	1/3 inch
Effective Pixels	537 x 505 (NTSC); 537 x 597 (PAL)
Horizontal Resolution	420 TVL
Min. Scene Illumination	
Color	0Lux (w/ IR) IR LED ON at 4Lux / Controlled by a CDS sensor
IR Sensitivity	from 700 nm to 1100 nm
IR LED	IR LED x24 (850 nm)
CDS Sensor	Yes
IR Working Distance	10 ~ 15 M (30 IRE)
Lens	
Focal Length	f4.3 mm / F2.0
Viewing Angle	63° (Horizontal)
Camera Angle Adjustment	
X (Panning)	0° ~ 360°
Y (Tilting)	0° ~ 180°
Z (Rotating)	0° ~ 360°
Synchronization	
Sync. System	Internal
Day/Night Functions	
Mechanical IR Cut Filter	N/A
Functions	
Motion Detection	Yes (3 windows)
Electronic shutter	1/60 ~ 1/100,000 sec. (NTSC) 1/50 ~ 1/100,000 sec. (PAL)
BLC	Automatic
AGC	Automatic
White Balance	AWB
S/N Ratio	
S/N Ratio	Better than 48 dB

Video Compression	
Compression	MPEG-4 SP, MJPEG selectable
Picture Resolution	Full D1 (720x480 in NTSC, 720x576 in PAL) VGA (640x480 in NTSC, 640x480 in PAL) CIF (352x240 in NTSC, 352x288 in PAL) QCIF (176x120 in NTSC, 176x144 in PAL)
Bit Rate	28 K ~ 3 M bps
Image Frame Rate	30 fps at full D1 resolution (NTSC) 25 fps at full D1 resolution (PAL)
Audio Input	
Compression	8 kHz, Mono, PCM
Audio Line Input	Unbalanced, 1.4 Vp-p, 1Vrms, 3.5 mm Jack
Audio Output	
Compression	8 kHz, Mono, PCM
Audio Line Output	Unbalanced, 1.4 Vp-p, 1Vrms, 3.5 mm Jack
Casing	
Mount Types	Surface / Wall (option)
External I/O	
Reset Button	Factory default
Network	
Ethernet	Ethernet (10/100Base-T), RJ-45 connector
Protocol	TCP, UDP, IP, HTTP, DHCP, PPPoE, RTP, RTSP
Software	
Web Browser	Microsoft Internet Explorer 6.0 or above
SDK	ActiveX control, C SDK
Security	Password protection: configured by the administrator
Operating	
Temperature	-10 °C ~ 50 °C (14 °F ~ 122 °F)
Power	
Power Requirement	PoE (IEEE802.3af) with Class 3 (ACM-3211)
Power Consumption	5.7 W (DC 12 V) w/ IR ON 7.0 W (PoE) w/ IR ON
Physical	
Dimensions (ø x L)	106.5 mm X 99.8 mm (4.19" x 3.93")
Weight	320 g (0.7 lb)

## ORDERING INFORMATION

Model Name	NTSC	PAL	DC 12 V / PoE
ACM-3211N	V		V
ACM-3211P		V	V

## ACCESSORY OPTIONS

- Wall mount kit

MTB-201-R0



MTB-201-R0